

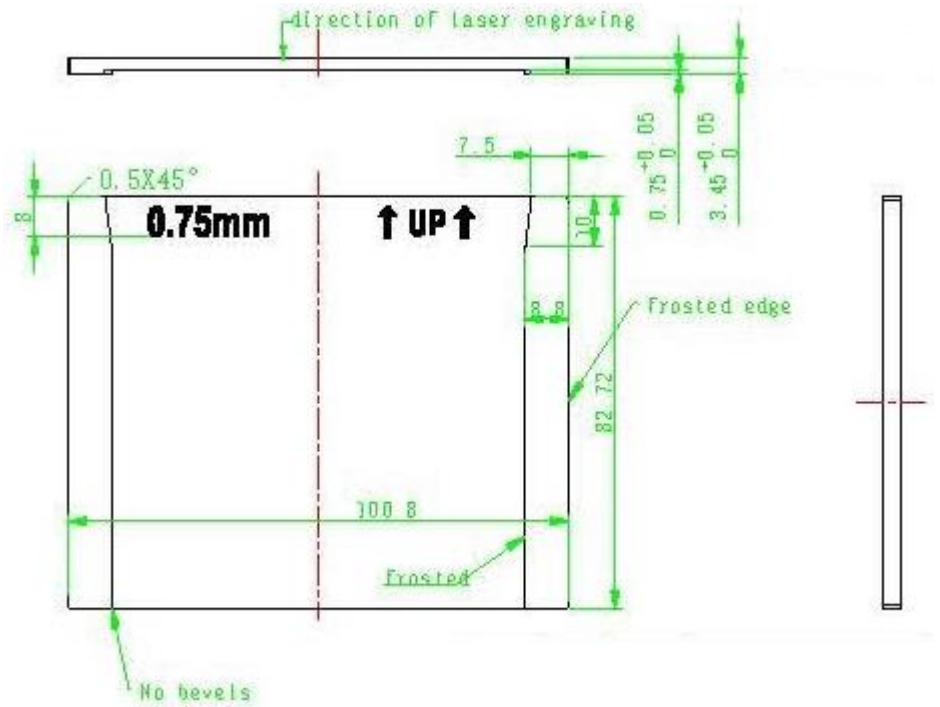
NeoPRO4 Mini vertical protein electrophoresis system

List of Spacer Glass Plates

NeoPRO4 Mini vertical protein electrophoresis system – List of Spacer Glass Plates / Glass Flats

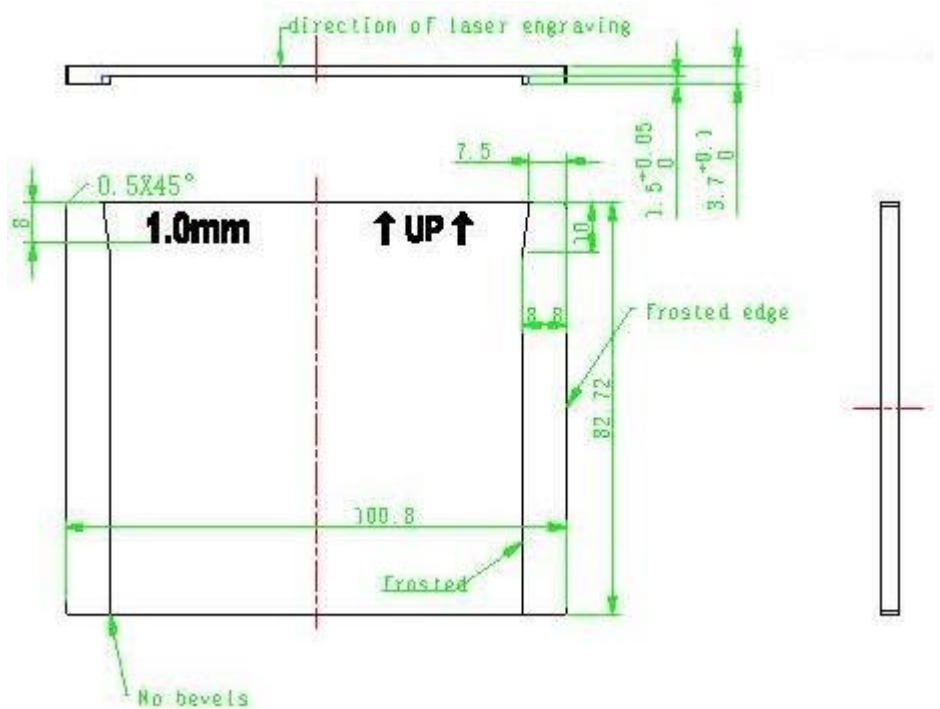
NB-12-8001-20

Wide : 100.8 mm
Height : 82.72 mm
Thickness : 0.75 mm
Delivery of 5 flats per pack



NB-12-8001-03

Wide : 100.8 mm
Height : 82.72 mm
Thickness : 1 mm
Delivery of 5 flats per pack

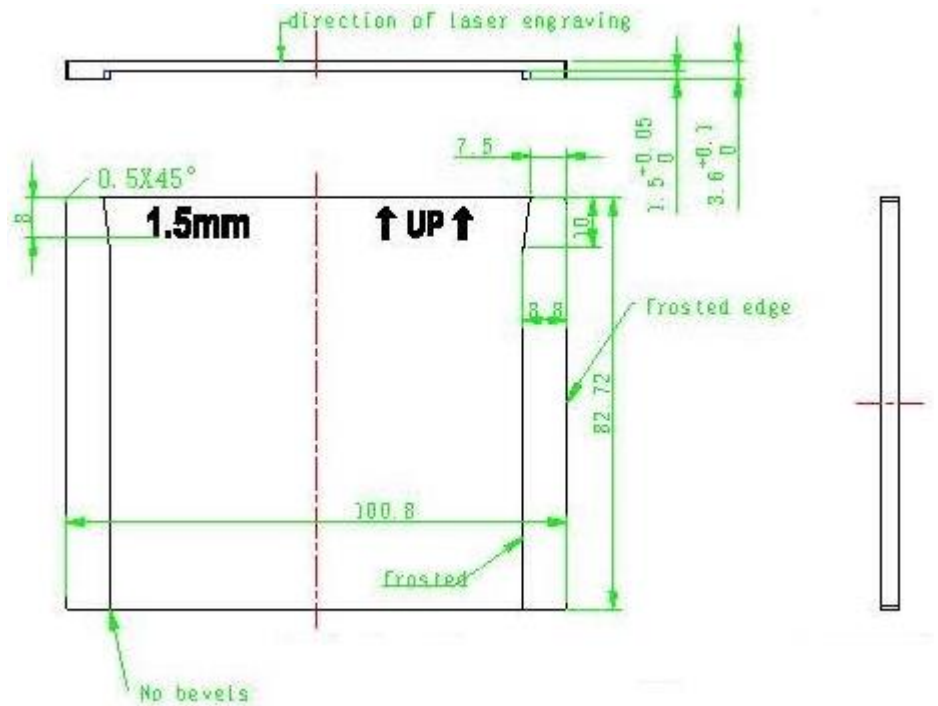


NeoPRO4 Mini vertical protein electrophoresis system

List of Spacer Glass Plates

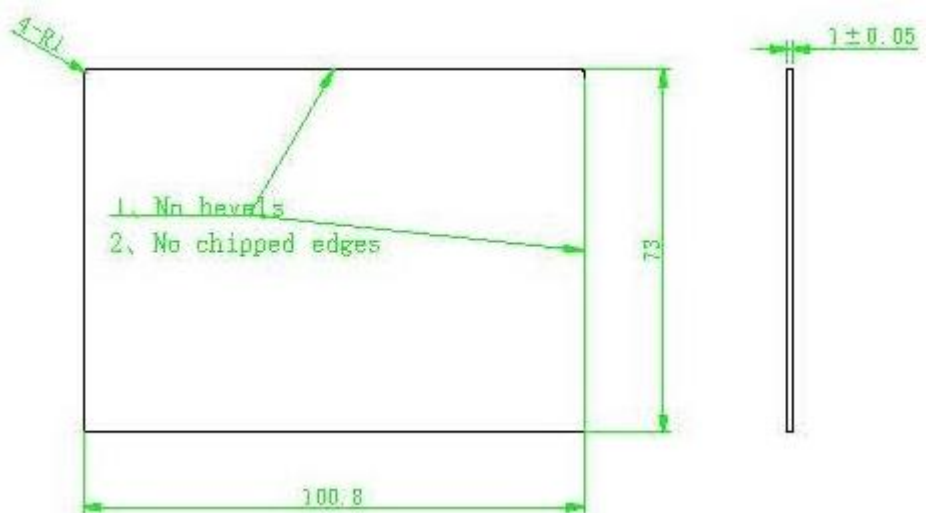
NB-12-8001-21

Wide : 100.8 mm
Height : 82.72 mm
Thickness : 1.5 mm
Delivery of 5 flats per pack



NB-12-8001-04 Short glasses flat

Wide : 100.8 mm
Height : 73 mm
Thickness : 1 mm
Delivery of 10 flats per pack



Dimension tolerance is ± 0.2 mm