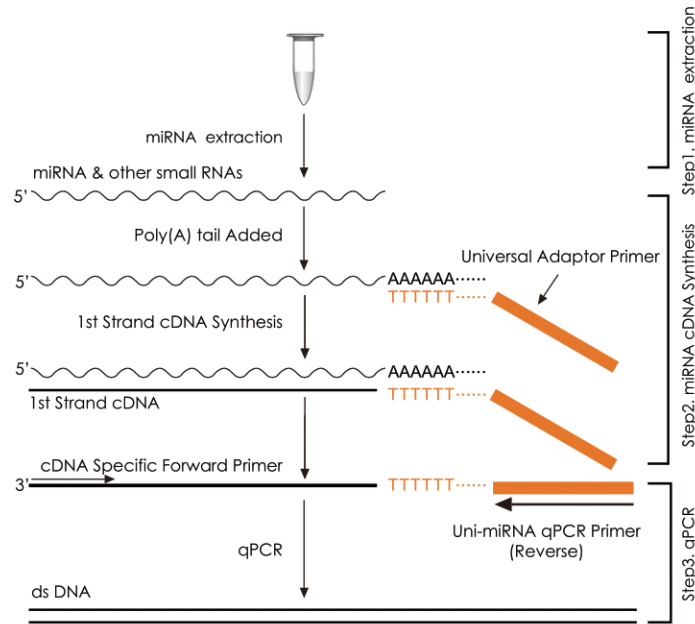




miRNA Solutions

TRANSGEN ●

Schematic Diagram of miRNA Extraction and Detection



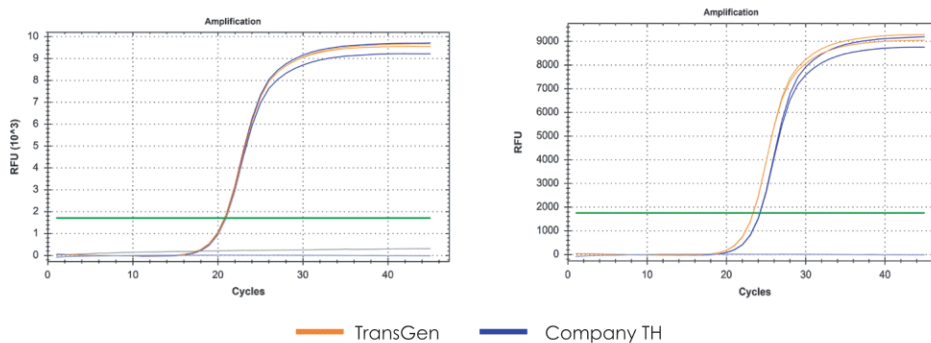
miRNA Extraction

EasyPure[®] miRNA Kit (ER601)

- Suitable for isolating miRNA and total RNA from cells, tissues, fresh blood and exosomes.
- By adjusting the volume of ethanol added to the aqueous phase, miRNA or total RNA can be obtained.
 1. Large RNAs (28S rRNA, 18S rRNA, mRNA) adsorbed by the RNA spin column, small RNA in flow-through (containing RNAs less than 200 nt, such as miRNA, siRNA, shRNA, snRNA, etc.) is adsorbed by the miRNA spin column.
 2. Total RNA (containing RNA less than 200 nt) is adsorbed by the RNA spin column.
- Strong pyrolysis capability, high yield and wide range of applications.



Data



miRNA was extracted using reagents from TransGen and Company TH respectively. The extracted miRNA was used as a template for RT-qPCR.

References

- Wang X, Li X, Li J, et al. Mechanical loading stimulates bone angiogenesis through enhancing type H vessel formation and downregulating exosomal miR-214-3p from bone marrow-derived mesenchymal stem cells[J]. *The FASEB Journal*, 2021. (IF 4.4)
- He X, Yang L, Huang R, et al. Activation of CB2R with AM1241 ameliorates neurodegeneration via the Xist/miR-133b-3p/Pitx3 axis[J]. *Journal of cellular physiology*, 2020.(IF 5.54)

Distributed by
CliniSciences

miRNA cDNA Synthesis

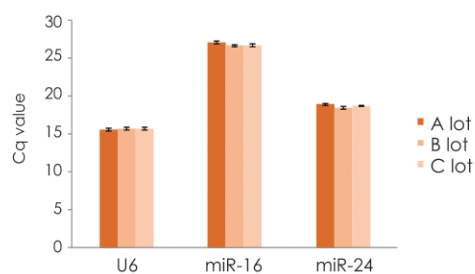
TransScript[®] miRNA First-Strand cDNA Synthesis SuperMix (AT351)

- Optimized buffer for poly(A) polymerase and reverse transcriptase in optimized buffer, ensuring overall efficiency.
- Poly(A) tailing and cDNA synthesis in one reaction.
- Applicable for miRNA detection.



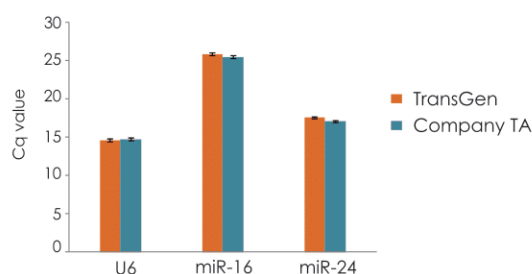
Data

Lot-to-lot consistency



miRNA extracted from human plasma was used as a template for qRT-PCR using different lots of reagents from TransGen. Lot-to-lot consistency was assessed based on variations in Cq values.

High reverse transcription efficiency



qRT-PCR was performed for miRNA extracted from human plasma using reagents from TransGen and Company A respectively.

References

- Huang R, Jia B, Su D, et al. Plant exosomes fused with engineered mesenchymal stem cell-derived nanovesicles for synergistic therapy of autoimmune skin disorders[J]. *Journal of Extracellular Vesicles*, 2023.(IF 14.5)
- Zhao J, Zeng X, Liu J, et al. Marasmius androsaceus mitigates depression-exacerbated intestinal radiation injuries through reprogramming hippocampal miRNA expression[J]. *Biomedicine & Pharmacotherapy*, 2023.(IF 7.5)
- He X, Yang L, Huang R, et al. Activation of CB2R with AM1241 ameliorates neurodegeneration via the Xist/miR-133b-3p/Pitx3 axis[J]. *Journal of cellular physiology*, 2020.(IF 4.0)

miRNA cDNA Synthesis and Detection

TransScript[®] Green miRNA Two-Step qRT-PCR SuperMix (AQ202)

- Optimal ratio of Poly(A) polymerase to reverse transcriptase and optimized reaction buffer, so as to ensure high transcription efficiency of miRNA.
- Poly(A) tailing and cDNA synthesis in one reaction.
- High amplification efficiency, specificity and sensitivity ensured by PerfectStart[®] Green qPCR SuperMix, leading to accurate data.
- Passive reference dyes compatible with different qPCR instruments (normalize the fluorescent signals between reactions).



References

- 1 Yang Y, Lin Z, Han Z, et al. miR-539 activates the SAPK/JNK signaling pathway to promote ferroptosis in colorectal cancer by directly targeting TIPE[J]. *Cell Death Discovery*, 2021.(IF 5.24)
- Hong Y H, Meng J, He X L, et al. Overexpression of MiR482c in tomato induces enhanced susceptibility to late blight[J]. *Cells*, 2019.(IF 5.65)

Distributed by
CliniSciences

clinisciences

Austria

Company: CliniSciences GmbH
Address: Sternwartestrasse 76, A-1180
Wien - Austria
Telephone: +43 720 115 580
Fax: +43 720 115 577
Email: oesterreich@clinisciences.com
Web: <https://www.clinisciences.com>



Belgium

Company: CliniSciences S.R.L
Address: Avenue Stalingrad 52, 1000
Brussels - Belgium
Telephone: +32 2 31 50 800
Fax: +32 2 31 50 801
Email: belgium@clinisciences.com
Web: <https://www.clinisciences.com>



Denmark

Company: CliniSciences ApS
Address: Oesterbrogade 226, st. 1,
Copenhagen, 2100 - Denmark
Telephone: +45 89 888 349
Fax: +45 89 884 064
Email: denmark@clinisciences.com
Web: <https://www.clinisciences.com>



Finland

Company: CliniSciences ApS
Address: Oesterbrogade 226, st. 1,
Copenhagen, 2100 - Denmark
Telephone: +45 89 888 349
Fax: +45 89 884 064
Email: suomi@clinisciences.com
Web: <https://www.clinisciences.com>



France

Company: CliniSciences S.A.S
Address: 74 Rue des Suisses, 92000
Nanterre- France
Telephone: +33 9 77 40 09 09
Fax: +33 9 77 40 10 11
Email: info@clinisciences.com
Web: <https://www.clinisciences.com>



Germany

Company: Clinisciences GmbH
Address: Wilhelm-Mausier-Str. 41-43,
50827 Köln - Germany
Telephone: +49 221 9498 320
Fax: +49 221 9498 325
Email: deutschland@clinisciences.com
Web: <https://www.clinisciences.com>



Iceland

Company: CliniSciences ApS
Address: Oesterbrogade 226, st. 1,
Copenhagen, 2100 - Denmark
Telephone: +45 89 888 349
Fax: +45 89 884 064
Email: island@clinisciences.com
Web: <https://www.clinisciences.com>



Ireland

Company: CliniSciences Limited
Address: Ground Floor, 71 lower Baggot street
Dublin D02 P593 - Ireland
Telephone: +353 1 6971 146
Fax: +353 1 6971 147
Email: ireland@clinisciences.com
Web: <https://www.clinisciences.com>



Italy

Company: CliniSciences S.r.l
Address: Via Maremmana inferiore 378
Roma 00012 Guidonia Montecelio - Italy
Telephone: +39 06 94 80 56 71
Fax: +39 06 94 80 00 21
Email: italia@clinisciences.com
Web: <https://www.clinisciences.com>



Netherlands

Company: CliniSciences B.V.
Address: Kraaijenhoffstraat 137A,
1018RG Amsterdam, - Netherlands
Telephone: +31 85 2082 351
Fax: +31 85 2082 353
Email: nederland@clinisciences.com
Web: <https://www.clinisciences.com>



Norway

Company: CliniSciences AS
Address: c/o MerVerdi Munkerudtunet 10
1164 Oslo - Norway
Telephone: +47 21 988 882
Email: norge@clinisciences.com
Web: <https://www.clinisciences.com>



Poland

Company: CliniSciences sp.Z.o.o.
Address: ul. Rotmistrza Witolda Pileckiego 67
lok. 200 - 02-781 Warszawa -Poland
Telephone: +48 22 307 0535
Fax: +48 22 307 0532
Email: polska@clinisciences.com
Web: <https://www.clinisciences.com>



Portugal

Company: Quimigen Unipessoal LDA
Address: Rua Almada Negreiros, Lote 5, Loja 14,
2615-275 Alverca Do Ribatejo - Portugal
Telephone: +351 30 8808 050
Fax: +351 30 8808 052
Email: info@quimigen.com
Web: <https://www.quimigen.pt>



Spain

Company: CliniSciences Lab Solutions
Address: C/ Hermanos del Moral 13
(Bajo E), 28019, Madrid - Spain
Telephone: +34 916 750 700
Fax: +34 91 269 40 74
Email: espana@clinisciences.com
Web: <https://www.clinisciences.com>



Sweden

Company: CliniSciences ApS
Address: Oesterbrogade 226, st. 1,
Copenhagen, 2100 - Denmark
Telephone: +45 89 888 349
Fax: +45 89 884 064
Email: sverige@clinisciences.com
Web: <https://www.clinisciences.com>



Switzerland

Company: CliniSciences AG
Address: Fracht Ost Flughafen Kloten
CH-8058 Zürich - Switzerland
Telephone: +41 (044) 805 76 81
Fax: +41 (044) 805 76 75
Email: switzerland@clinisciences.com
Web: <https://www.clinisciences.com>



UK

Company: CliniSciences Limited
Address: 11 Progress Business center, Whittle
Parkway, SL1 6DQ Slough- United Kingdom
Telephone: +44 (0)1753 866 511
or +44 (0) 330 684 0982
Fax: +44 (0)1753 208 899
Email: uk@clinisciences.com
IWeb: <https://www.clinisciences.com>



USA

Company: CliniSciences LLC
Address: c/o Carr Riggs Ingram,
500 Grand Boulevard, Suite 210 Miramar
Beach, FL 32550- USA
Telephone: +1 850 650 7790
Fax: +1 850 650 4383
Email: usa@clinisciences.com
Web: <https://www.clinisciences.com>

